



## Commercial Microwave Ovens Culitek CTFS12TS & CTFS18TS Models

### Power Output

- 1200-1800 Watts of power
- Five power levels for consistent, delicious results for frozen, refrigerated and fresh foods - from the freezer to table in minutes.

### Easy to Use

- Up to 100 programmable menu items simplifies cooking and ensures consistent results.
- Four stage cooking option with one-touch programming. Reduces prep time, labor and food waste while providing consistent results.
- Multiple quantity pad calculates the proper cooking times for multiple portions.
- User friendly touch controls are easy to use.
- Time entry option for added flexibility.
- Digital display with countdown timer for simple operation and "at-a-glance" monitoring.
- See-through door and lighted interior for monitoring without opening the door.
- 1.2 cubic ft. (34 Liter) capacity accommodates a 14" (356 mm) platter, prepackaged foods and single servings.
- Stackable to save valuable counter space.

### Easy to Maintain

- Stainless steel exterior and interior for easy cleaning and a professional look.
- Removable air filter protects oven components.
- Constructed to withstand the foodservice environment.
- ETL Listed.

### This microwave oven is ideal for...

#### Applications

- Fast casual restaurants
- Pubs
- Prep stations
- Family restaurants

#### Through put potential by oven wattage (items per hour)

Food item	1200W	1800W
<i>Mac 'n cheese (pre-cooked)</i> <i>(2lbs (907g))</i>	15	21
<i>Steamed Shrimp</i> <i>(1lb (454g))</i>	21	29*
<i>Baked potato</i> <i>(10oz (283g))</i>	18	21
<i>Fresh Asparagus</i> <i>(8oz (227g))</i>	21	28*
<i>Chicken Noodle Soup</i> <i>(16oz (480ml))</i>	19	28
<i>Cinnamon Roll (pre-baked)</i> <i>(6oz (171g))</i>	120	144

\*For best steaming results, use 1800W

### Service

All products are backed by Culitek Commercial Service

### Warranty

Warranty Certificate for this product can be found on the Culitek. website at [culitekequipment.com](http://culitekequipment.com)

### Safety and Sanitation

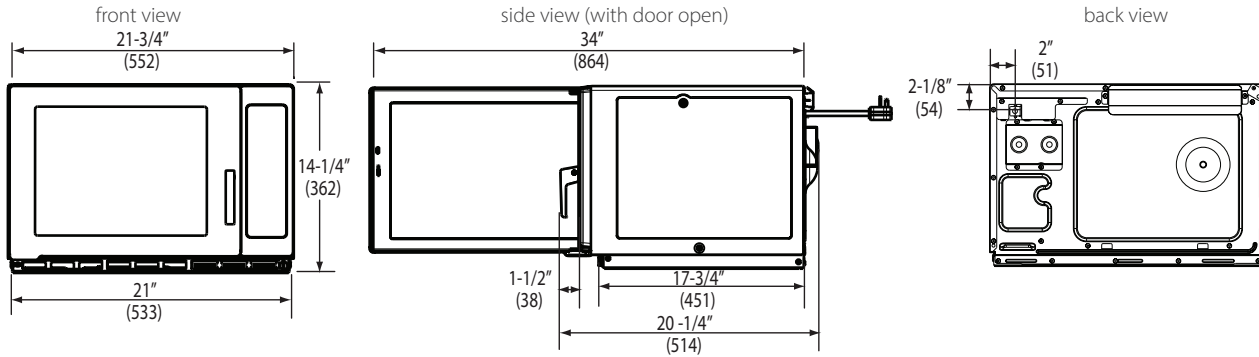
This product meets and exceeds safety and sanitation standards set for commercial microwave ovens by UL, ETL, NSF, CSA, and FDA



Commercial Service  
800-436-9472



# Culitek CTFS12TS & CTFS18TS Models | Commercial Microwave Ovens



## Dimensions

<b>Exterior</b>	H 14 3/8" (365)	W 21 3/4" (551)	D† 21" (533)
<b>Cavity</b>	H 8 7/8" (226)	W 14 1/8" (359)	D 16 1/4" (413)
<b>Usable Cavity Space</b>	1.2 cubic ft. (34 liter)		
<b>Door Depth</b>	34" (864), 90°+ door open		
<b>Installation Clearance</b>	Top: 2" (51)	Sides: 1" (25)	Back: None
<b>Shipping Carton</b>	H 18 1/2" (467)	W 26 1/8" (663)	D 22 7/8" (581)

## Weight

Model Type	Product Weight	Ship weight (approx.)	UPS Shippable
1200W	66 lbs (30 kg)	71 lbs (32 kg)	Yes
1800W	70 lbs (32 kg)	77 lbs (35 kg)	Yes

Measurements are US Standard. Measurements in ( ) are in millimeters

\* IEC 60705 Tested

† Includes handle

## Features

<b>Configuration</b>	Countertop
<b>Stackable</b>	Yes
<b>Display</b>	LED
<b>USB Port</b>	No
<b>Control System</b>	Touchpad
<b>Programmable Control</b>	Yes, 10 pads
<b>Braille</b>	No
<b>Settings Programmable</b>	100
<b>Max. Cooking Time</b>	60:00
<b>Microwave Distribution</b>	Rotating antennas, top & bottom
<b>Power Levels</b>	5
<b>Defrost</b>	Yes
<b>Time Entry Option</b>	Yes
<b>Multiple Portion Setting</b>	Yes, X2
<b>Stage Cooking</b>	Yes, 4 stages
<b>Interior Light</b>	Yes
<b>Automatic Voltage Sensor</b>	Yes (North America only >1200W)
<b>Air Filter</b>	Yes, 1 removable with cleaning reminder
<b>Signal</b>	End of cycle, adjustable
<b>Door Handle</b>	Lift & Pull
<b>Exterior Finish</b>	Stainless steel
<b>Interior Finish</b>	Stainless steel

## Electrical Configuration

Model#/UPC	Automatic Voltage Sensor	Power Consumption	Power Output (microwave)	Power Source	Plug Configuration	Cord Length	Frequency	Magnetron
<b>CTFS12TS</b> 810081733694	No	2000 W, 16A	1200W*	120V, 60Hz, 20A, single phase	NEMA 5-20	5 ft. (1.5m)	2450MHz	2
<b>CTFS18TS</b> 810081733700	Yes	2800 W, 13.5A	1800W*	208/240V, 60Hz, 20A, single phase	NEMA 6-20	5 ft. (1.5m)	2450MHz	2

Specification #:

AIA File #:

Updated 08/26/2021